

Model: RM-VS210xxxDC3

100 kA Per Phase



Key Features

- **Discrete “All Mode” Circuitry: Directly Connected Protection Elements in “All Modes” as recommended by IEEE Std. 1100-2005**
- **Industry Leading Measured Limiting Voltage (let-through) Performance**
- **Local & Remote Diagnostics**
- **Independent Verification of Performance and Safety**
- **Component-Level, Thermal Fusing**
- **10 Year Unlimited Free Replacement Warranty**

Application: The RM-VS210 series was developed to answer a broad variety of demands from our customers. This device is robust enough to handle the punishment of service applications of up to 500 amps, while providing protection from transients that may be generated internally. The constant bombardment of this combination of transients can damage valuable equipment and waste valuable budget dollars.

ANSI/IEEE C62.41.1 & C62.41.2-2002 environments: Suitable for Categories: A, B & C (Most Severe Electrical Environments)

IEC Environments: Suitable for use in IEC 61643-11 environments

Circuit Topology: Parallel configured combination **Frequency Attenuation Network and Optimal Response Circuitry™** circuit design incorporating component-level, thermal disconnecter.

Protection Modes: Industry-best practice of true all mode dedicated protection components for all operational modes of the electrical system. **Discrete P-N, P-G, (Normal Mode) and N-G (Common Mode)**

Input Power: DC

Temperature Rating: Up to 80°C

Standard Enclosure: NEMA 1 Rated Standard Enclosure
(Other enclosure options available see pg. 2)

Nominal Discharge Current (I_n) Rating: 10 kA

Diagnostics: Green LED, normally on. A wide range of optional diagnostics is available (see page two for details).

Circuit Interrupt: Internal component-level, thermal fusing. No external over-current protection required.

Short Circuit Current Rating: 200 kAIC

Product Qualifications:

ISO 9001-2008 Certified Manufacturing Facility



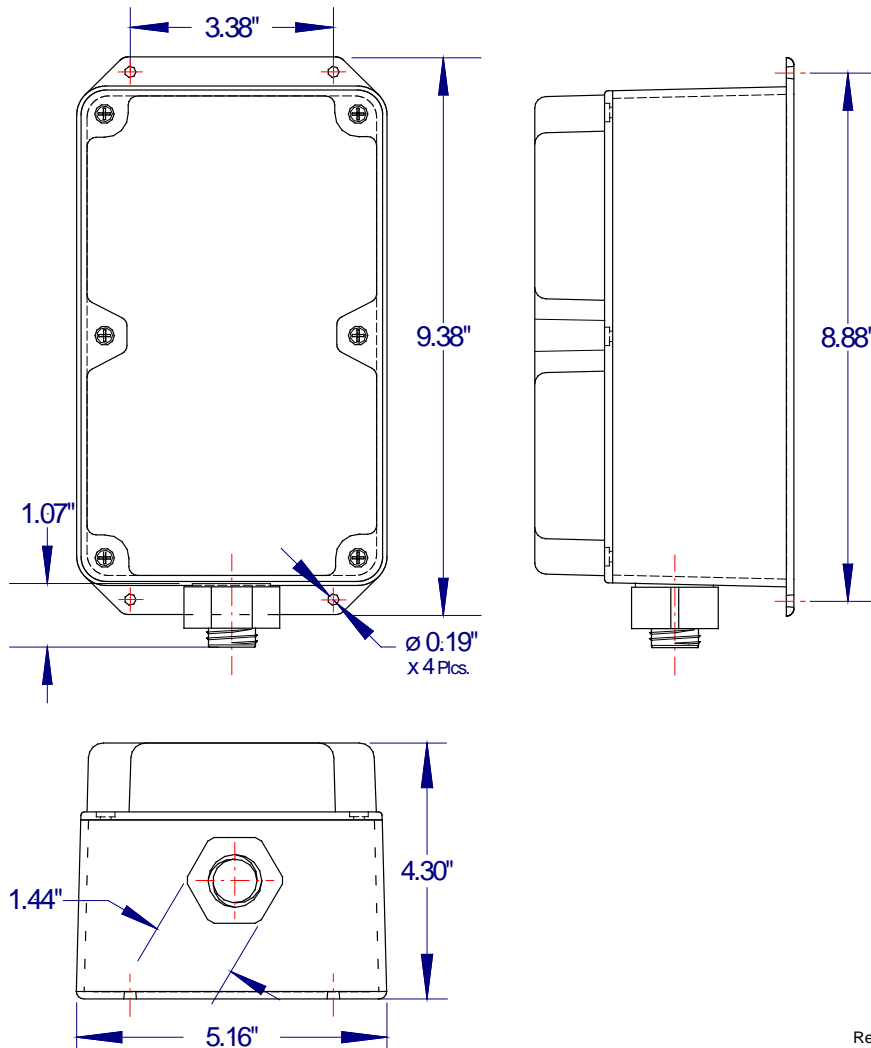
RM-VS210xxxDC3

Model Voltage	Circuit Type	MCOV	ANSI/IEEE C62.41.1 & .2-2002 and C62.45-2002 Let-through Voltage Test Results (tested w/6" lead length external to the enclosure)		
			Test Mode	Cat A, 30 Ω 100 kHz Ring Wave 2 kV / 67 A @ 270° Phase Angle	Cat B, 2 Ω Impulse Wave 6 kV / 3 kA @ 90° Phase Angle
800VDC	800 VDC (3 wire)	840 VDC	P-N P-G N-G	66 V 66 V 60 V	1820 V 1820 V 1820 V
1000VDC	1000 VDC (3 wire)	1165 VDC	P-N P-G N-G	110 V 110 V 110 V	2155 V 2155 V 2155 V
1500VDC	1500 VDC (3 wire)	1680 VDC	P-N P-G N-G	69 V 69 V 69 V	3230 V 3230 V 3230 V

Measured Limiting Voltage (MLV) Test Parameters: Positive polarity, Category C: No line power applied, Voltages are peak (±10%). Measured Limiting Voltages are measured from zero. *Scope Settings: Time Base = 10 microseconds per division, Sampling Rate = 2.5 Gigasamples/sec, Bandwidth = 400 MHz (200 MHz for Cat C), Probes: Tektronix P5100/P6015A. These settings help to assure MLV results are accurate).* **All tests performed with 6" lead length (external to the enclosure), simulating actual installed performance.**

C = Form C dry relay contacts
E1 = Hub on side of enclosure
LP = Remote LED indicators in individual NEMA 4X housings
P = Flush Mount Plate

X = NEMA 4X Composite Fiberglass Enclosure (Box-in-box)
X1 = NEMA 4X Composite Enclosure with Clear Lid (Box-in-box)
X2 = NEMA 1, 2, 3, 3S, 4, 4X and 12 Composite Enclosure
XS = NEMA 4X Stainless Steel Enclosure



Circuit Connection: #10 AWG wire (pre-installed)

Flush mount trim plate available for standard and "M" option models.

Because we are constantly seeking to improve our products, specifications are subject to change at any time.
 © 2008-2017, ECS International Inc.

Rev Date: 06/27/2017

	P.O. Box 330607 Ft. Worth, TX 76163 Phone: 817.483.8497
	800.383.6956 - www.sinetamer.com