



**Optimizing your drive!**

## RLD-E0 20-400-50-0-B



### Main

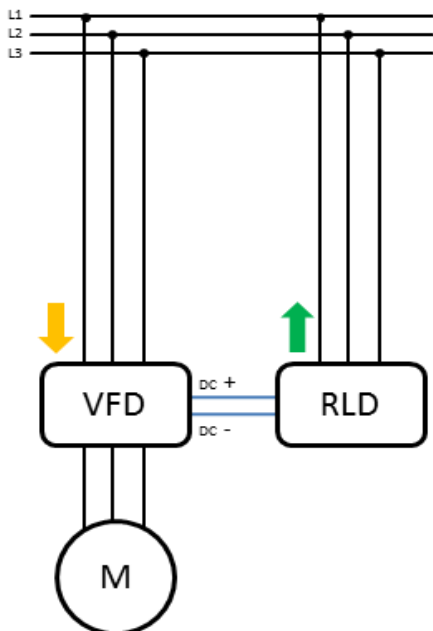
Product type	Revcon regen unit / braking device
Product description	The Revcon regen unit regenerates the energy from the DC bus of a variable frequency drive back to the mains. The regen unit RLD-E0 is designed for non-continuous regen operation, like elevators, crane systems, centrifuges etc.
Type code	RLD-E0 20-400-50-0-B
Order code	21016905
Supply voltage	3 • 380 - 415V (+10% / -15%) 40-60Hz (+/- 10%)
cos phi	~1 at nominal power
Rated current	29A
Overload	35A (120% for 1min / 10min)
Protection	IP 20
Humidity	Humidity class F without condensation 5.....85% - Class 3K3 (non-condensing) during operation
Ambient temp.	min. 5°C (41°F) max. 40 °C (101°F) derating above 40°C (101°F) = -1.5%/K (up to 55°C (128°F))
Altitude	<1000m derating above 1000m: -5%/1000m (up to 4000m)

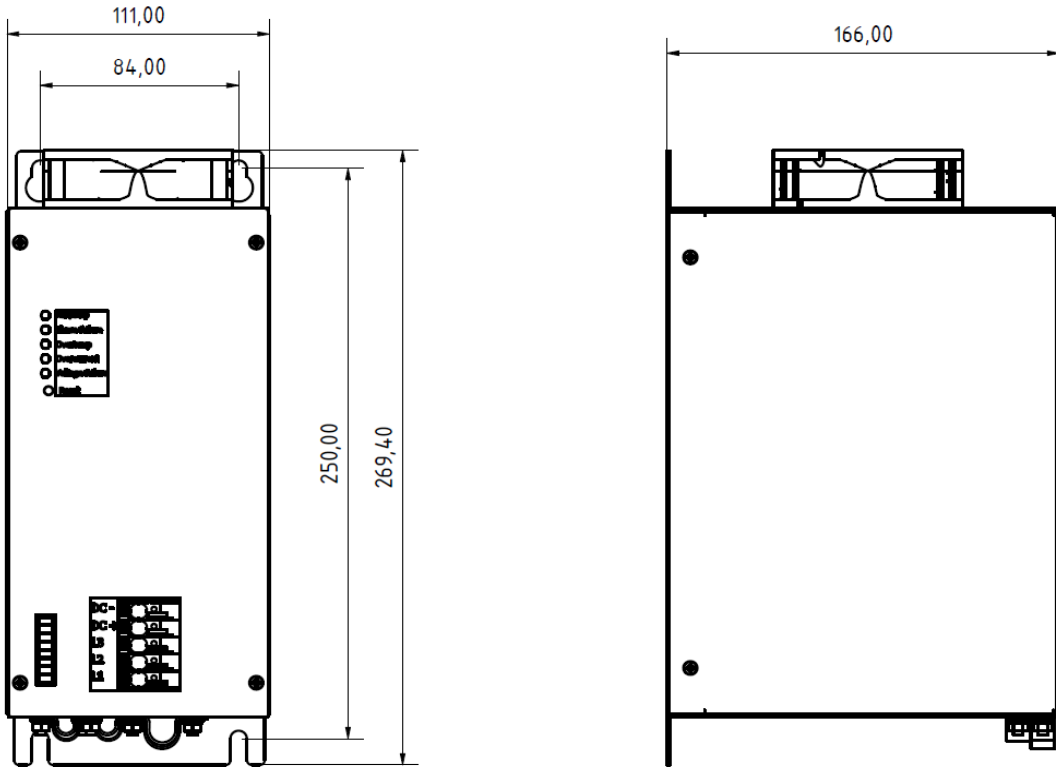
### Specific data

Power loss max	198W
Efficiency	98,4%
Weight	6kg

### Electrical connections, controls and auxilay supply

Mains supply	Terminal connection 0,5-6mm <sup>2</sup> (AWG 24-8) Tightening by Push in
DC connection	Terminal connection 0,5-6mm <sup>2</sup> (AWG 24-8) Tightening by Push in
Controls	Terminal connection 0.1-1.5mm <sup>2</sup> (AWG 28-16) Tightening torque 0,4Nm
Fan supply	not required





---

**Standards**

EMC	EN 61800-3 Category C2. Suitable for for public environment. DIN EN 12015:2014-09 compliant. (Electromagnetic Compatibility - Product Family Standard for Lifts, Escalators and Moving Walkway)
-----	--

---

**Available options\***

Option SLM	Sleep mode The option SLM adds the possibility to activate the sleep mode to reduce the standby power consumption to <1W.
Option IL	Isolation lacquer To protect the electronic components of the power feedback unit from pollution of the cooling air, all printed circuit boards may be coated with an isolating lacquer.

---

\*Many other useful options and accessories are available, please contact us!

**Partner:**



CP Automation Ltd  
Unit 8 Ashley Industrial Estate  
Exmoor Avenue  
Scunthorpe DN15 8NJ  
Tel: +44 (0) 1724 85 15 15  
Fax: +44 (0) 1724 85 15 16  
enquiries@cpaltd.net  
www.cpa-ltd.net